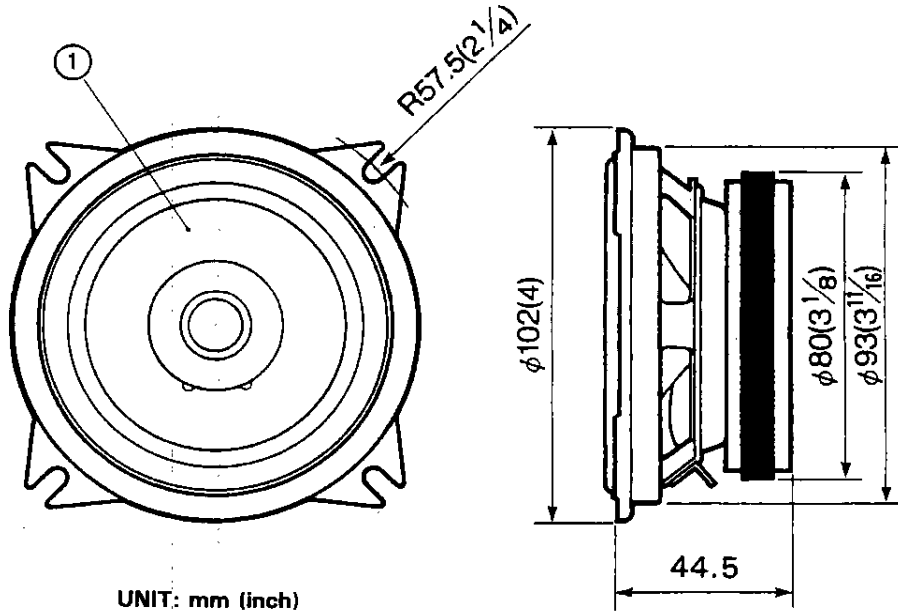


KFC-106S

SERVICE MANUAL



KENWOOD
Q.C.
COPY
 ©1989-3 PRINTED IN JAPAN
 B51-6015-00(T)202

EXTERNAL VIEW



UNIT: mm (inch)

PARTS INCLUDED

-  $\phi 4 - 12$ x 4
-  x 4

SPECIFICATIONS

- Speaker 10 cm (4 in) Water-resistant cone type 170 g (6 oz) magnet
- Peak input power 30 Watts
- Sensitivity 89 dB/W at 1 m
- Impedance 3.7 ohms
- Weight per speaker 540 g (1 lb 3 oz)/pc

(KENWOOD follows a policy of continuous advancements in development. For this reason specifications may be changed without notice.)

PARTS LIST

★ New parts
 Parts without Parts No. are not supplied.
 Les articles non mentionnés dans le Parts No. ne sont pas fournis.
 Teile ohne Parts No. werden nicht geliefert.

Ref No.	New Parts	Parts No.	Description
①	★	N99-1100-08	SCREW SET
		N99-1101-08	SPEED NUT SET
		T07-0149-08	SPEAKER

KENWOOD CORPORATION

Shonogi, Shibuya Building, 17-5 2-chome Shoyu, Shibuya-ku, Tokyo 150, Japan

KENWOOD U.S.A. CORPORATION
 2201 East Dominguez Street, Long Beach, CA 90810
 550 Clark Drive, Mount Olive, NJ 07828, U.S.A.

KENWOOD ELECTRONICS CANADA INC.
 P.O. Box 1075 959 Gana Court, Mississauga, Ontario, Canada L4T 4C2

KENWOOD ELECTRONICS BENELUX N.V.
 Mechelsesteenweg 418 B-1930 Zaventem, Belgium

KENWOOD ELECTRONICS DEUTSCHLAND GMBH
 Rembrucker-Str. 15, 6056 Heusenstamm, West Germany

TRIO-KENWOOD FRANCE S.A.
 Hi-Fi-VIDEO-CAR Hi-Fi
 13, Boulevard Ney, 75018 Paris, France

TRIO-KENWOOD U.K. LTD.
 17, Bristol Road, The Metropolitan Centre, Greenford, Middx, UB6 8UP England

KENWOOD ELECTRONICS AUSTRALIA PTY. LTD.
 4E Woodcock Place, Lane Cove, N.S.W. 2066 Australia

KENWOOD & LEE ELECTRONICS, LTD.
 Wang Kee Building, 4th Floor, 34-37, Connaught Road, Central Hong Kong